

DIN 41612 Right Angle Female Type Half R Connectors 48 Positions

ROHS COMPLIANT

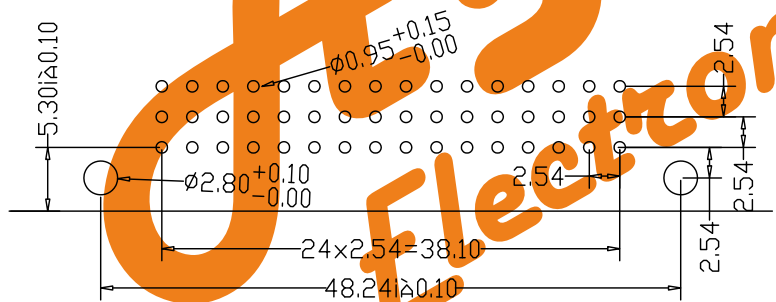
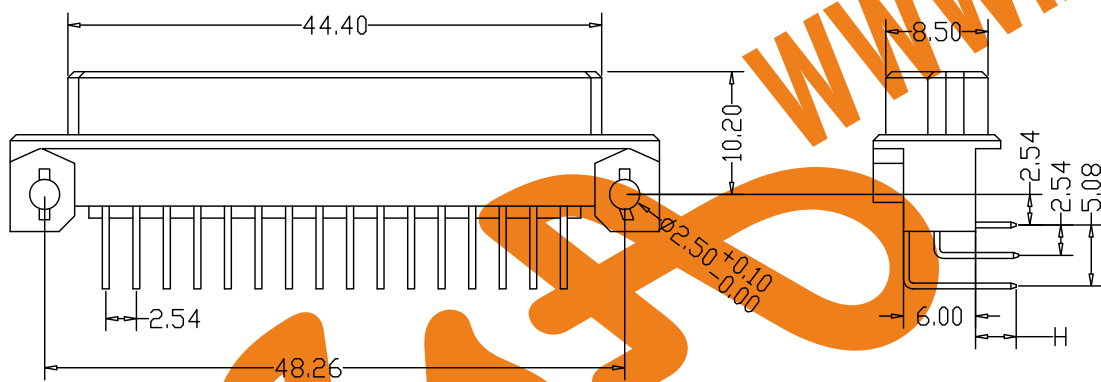
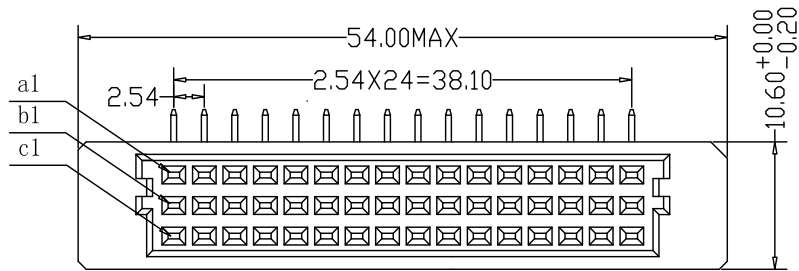
SPECIFICATION

Current Rating:	2.0Amp
Insulation Resistance:	100000MΩ min. at DC 100V
Contact Resistance:	20MΩ max
Withstand Voltage:	AC 1000V For 1 Minute
Operating Temperature:	-55°C to +165°C
Contact Material:	Brass
Contact Plating:	Au or Sn Over Ni
Insulator Material:	PBT+48%GF UL 94V-0
Insertion Force:	48 pin max.45N
Withdrawal Force:	0.24N min.per individual contact

Ordering Code:

DFR - XX - X - X - X -314
 (1) (2) (3) (4) (5)

- | | |
|---|---------------------|
| (1) Series No: | (5) Contact Plating |
| (2) No. of Contacts | G0: Gold flash |
| 48P 32P 16p 24p | S0: Gold flash/Ni |
| (3) Termination | G1: 3u" Gold |
| B:Right tail length H=3.0mm | S1: 3u" Gold/Ni |
| J:Right tail length H=7.0mm | G2: 5u" Gold |
| (4) Rows Loaded With Contacts | S2: 5u" Gold/Ni |
| A:Row a C:Row a+b | G3: 16u" Gold |
| D:Row a+c F:Row a+b+c | S3: 16u" Gold/Ni |
| D1:Row a+c(2,4,6...) F1:Row a+b+c(2,4,6...) | G4: 24u" Gold |
| | S4: 24u" Gold/Ni |
| | G5: 48u" Gold |
| | S5: 48u" Gold/Ni |
| | SN: Tin |



Recommended P. C. B. Layout

Unless Otherwise specified tolerance

X±0.35
X.X±0.25
X.XX±0.32
X.XXX±0.24

AsA WWW.AsA-Elec.com
Electronic
AsA Electronic Co.
 Tel : (+98) 21 66 73 56 82 Mob : (+98) 912 03 161 02

SCALE: As Shown UNIT: mm

DRAWN: jnufon	TITLE: Right Angle Female Type Half R Connectors 48 Positions
CHECKED: Yan	DRAWING NO: DFR-XX-XXX-314
APPROVED	PRODUCT NO: DFR-XX-XXX-314

REV	DESCRIPTION	DATE
	Add option of plating	16/8/1